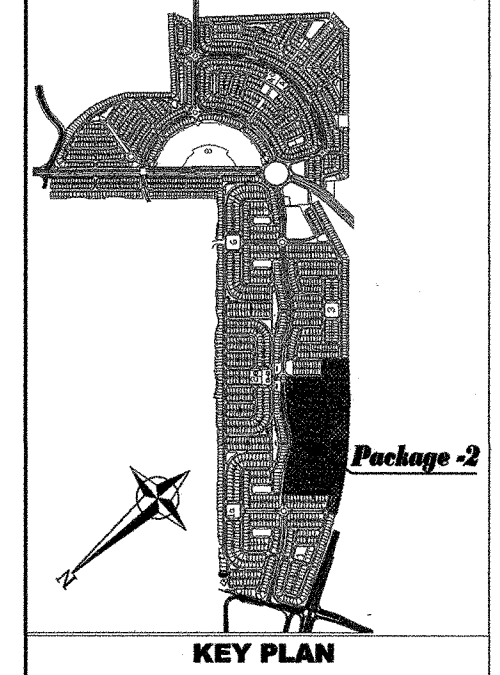
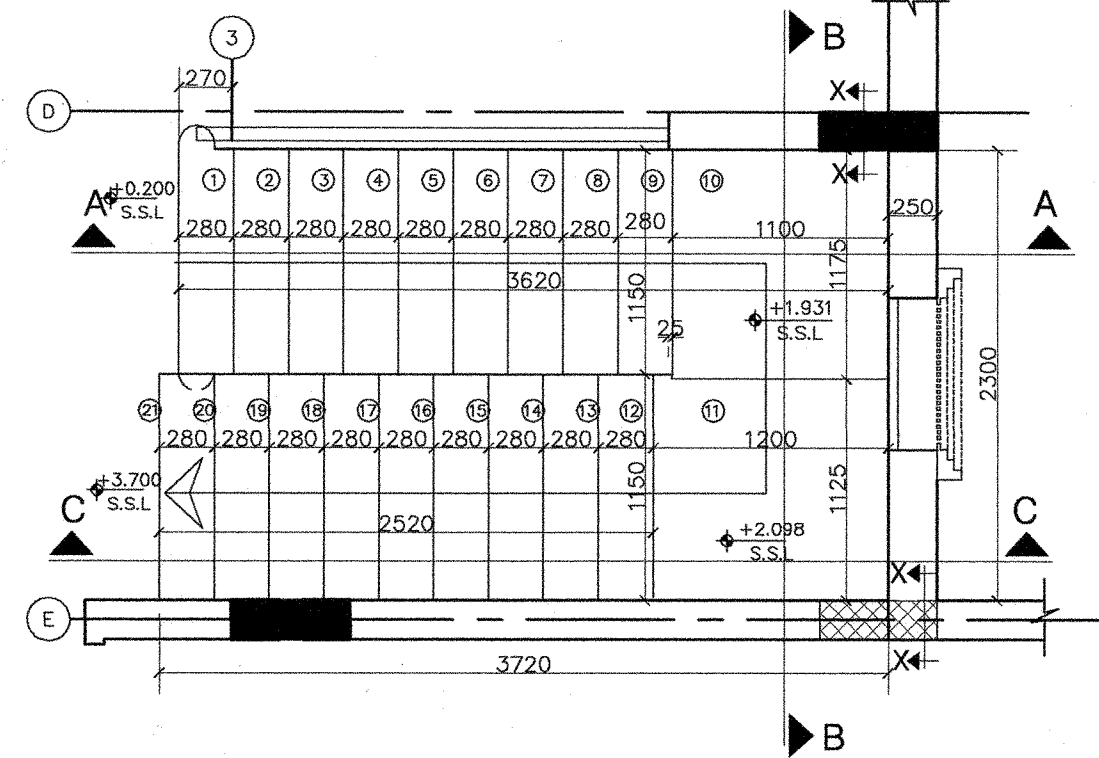


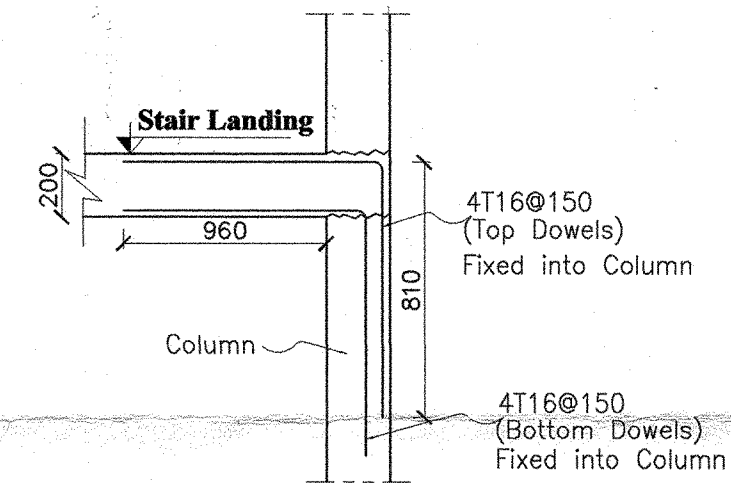
SECTION C-C

Stair Landing
+2.098 S.S.L.

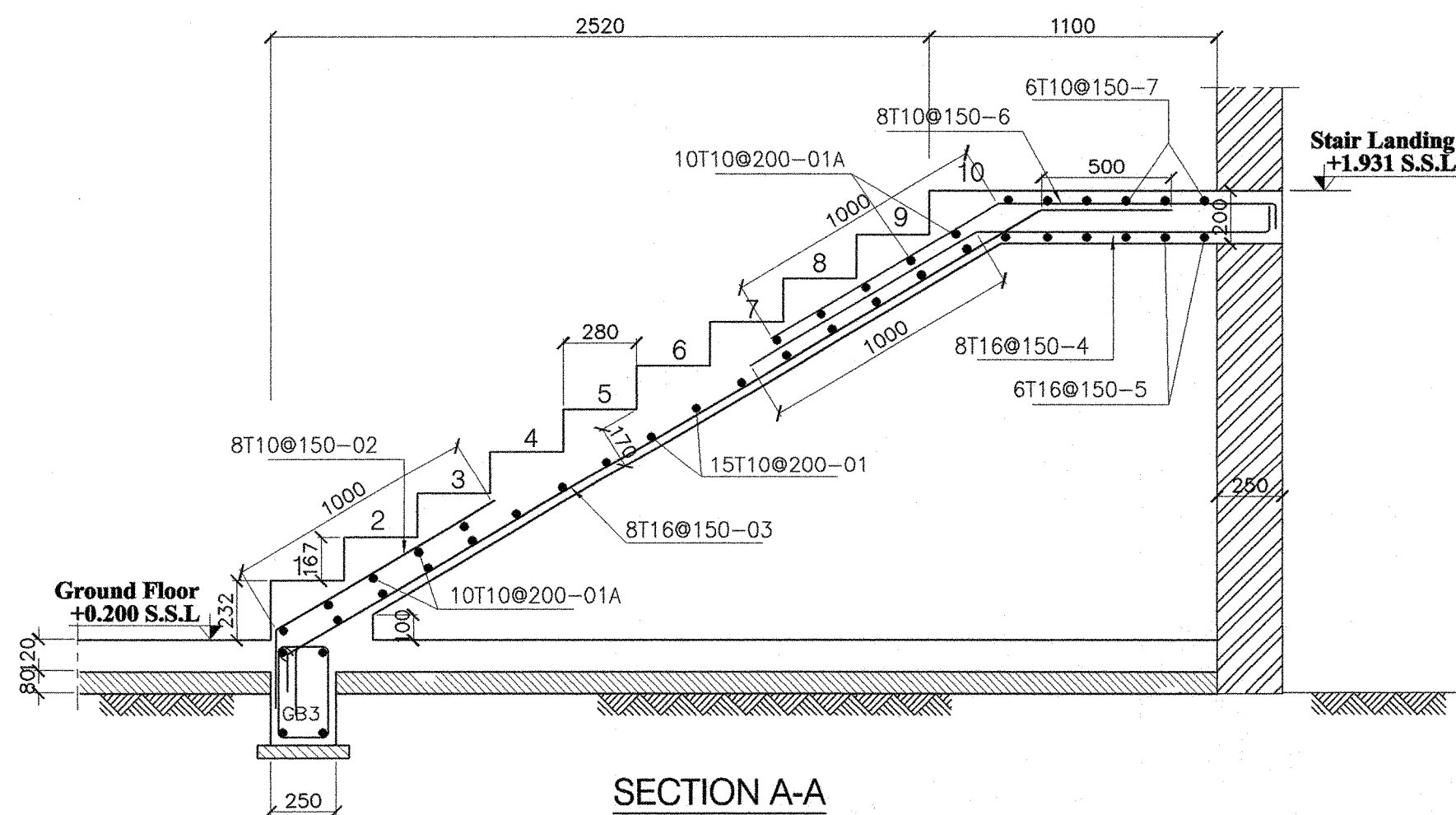


KEY PLAN

- NOTES:-
- 1) ALL DIMENSIONS ARE IN MM AND LEVELS ARE METERS UNLESS NOTED OTHERWISE.
 - 2) ALL REINFORCEMENT EXCEPT TIES & STIRRUPS UNLESS OTHERWISE INDICATED TO BE HIGH TENSILE STEEL TO BS 4448 HAVING A MINIMUM YIELD STRESS $f_y = 420$ MPa (DESIGNATED BY #5)
 - 3) ALL REINFORCED CONCRETE SHOULD HAVE A MINIMUM CRUSHING STRENGTH ON CYLINDER AT 28 DAYS: $f_c = 35$ MPa
 - 4) ALL PLAN CONCRETE SHOULD HAVE A MINIMUM CRUSHING STRENGTH ON CYLINDER AT 28 DAYS: $f_c = 14$ MPa
 - 5) ALL REINFORCED CONCRETE STRUCTURES ARE TO BE MADE WITH OPC FOR STAIRCASE
 - 6) ALL SPLICES OF REINFORCEMENT SHOULD BE MIN. 60 BAR DIAMETER
 - 7) UNLESS OTHERWISE NOTED, THE FOLLOWING NOMINAL CONCRETE COVER TO ALL REINFORCING BARS SHALL BE ADOPTED:
 - a - FOR SLABS AND WALLS NOT EXPOSED TO EARTH OR WEATHER: 30mm.
 - b - FOR BASEMENT WALLS: 50mm.
 - c - FOR DROP BEAMS AND COLUMNS: 40mm.
 - d - FOR FOUNDATIONS: 75mm.
 - e - FOR ALL SURFACES IN CONTACT WITH WATER OR VAPOUR: 50mm.
 - 8) FOOTING LEVELS AS PER APPROVED FOUNDATION FORMATION LEVEL

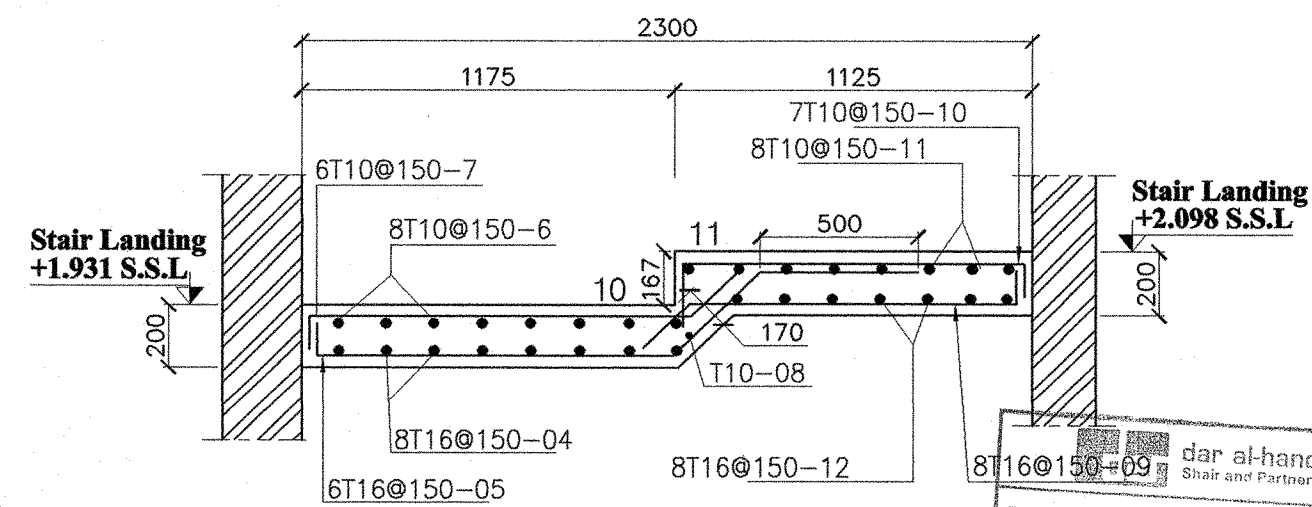


SECTION X-X
(CONNECTION FOR STAIR
DOWELS WITH COLUMN)



SECTION A-A

Stair Landing
+1.931 S.S.L.



SECTION B-B

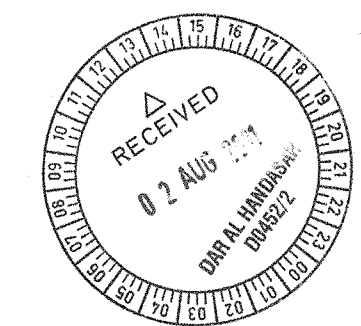
Stair Landing
+2.098 S.S.L.

dar al-handasah
Shair and Partners

CODE 1 APPROVED
 CODE 2 APPROVED AS NOTED
 WORK MAY PROCEED SUBJECT TO
 INCORPORATION OF ENDORSED
 COMMENTS
 CODE 3 RESUBMIT FOR APPROVAL
 WORK MAY NOT PROCEED
 CODE 4 REJECTED

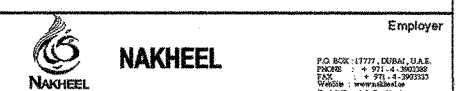
BY: DATE: 4/8/11

Approval shall not relieve the contractor of any of its obligations under the Contract or constitute authorization of any change to Contract Documents or variations to the work. Contractor is responsible for dimensions, quantities and coordination with other trades.



AS BUILT DRAWING

JUMEIRAH PARK



PACKAGE - 2

STAIRCASE (SECTIONS & DETAILS)
TYPE : LEGACY

Drawn: T. Mangan	Check: Eng. Zayed	Scale: 30-01-2011	Approved: Eng. Othman Zuhair
------------------	-------------------	-------------------	------------------------------

PME / JP / AB / LEGACY / STR-06

170/23